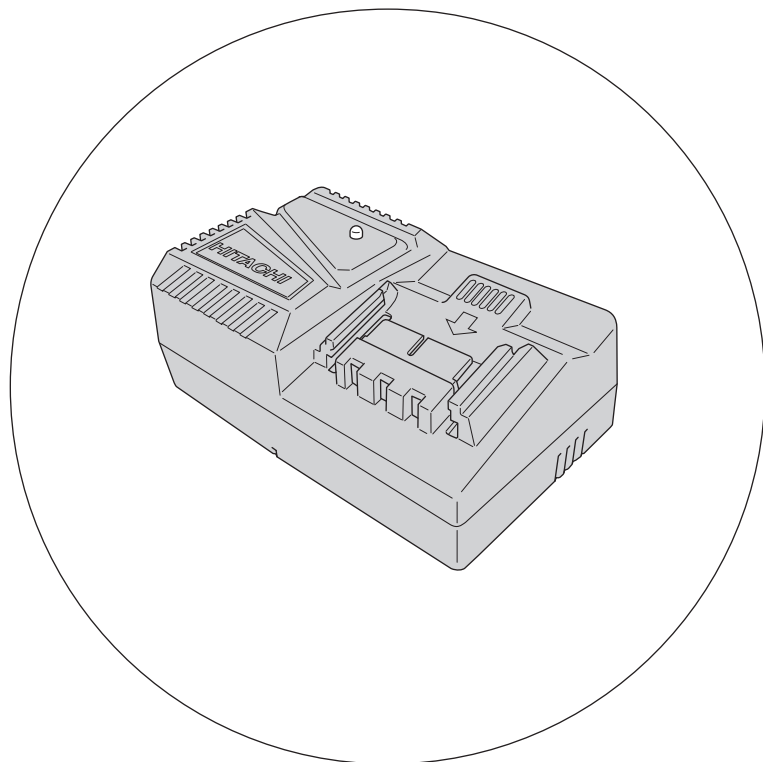


HITACHI

充电器
Charger

中文
English

UC 18YFSL



保留备用
Keep for future reference



使用说明书
Handling instructions

Hitachi Koki

目次

一般操作注意事项.....	2	用途.....	4
有关充电器的注意事项.....	3	充电.....	4
符号.....	3	维护和检查.....	6
规格.....	3	维修零部件一览表.....	7

一般操作注意事项

- 保持工作场所清洁。杂乱的场所和工作台易发生意外。
- 避免危险的环境。请勿让电动工具和充电器淋雨。请勿在潮湿的地方使用电动工具和充电器。请保持工作场所明亮。
切勿在易燃性或爆炸性物体附近使用电动工具和充电器。
请勿在有易燃液体或气体存在的地方使用工具和充电器。
- 本产品并非供身体、感官、心理能力较差或缺乏经验和知识的人员（包括小孩）使用，除非他们得到了对其安全负责的人员关于本产品使用的监督或指导。
应监督小孩，确保他们不玩弄本产品。
- 收藏停用的工具和充电器。工具和充电器不用时，应收藏在干燥、较高或上锁（小孩拿不到）的地方。请将工具和充电器收藏在温度低于 40℃ 的地方。
- 请勿滥用电源线。切勿用电源线来携带充电器或猛拉电源线来将其从插座上拔下。请使电源线远离热、油和尖锐的边缘。
- 不使用充电器或正在维护和检查时，请将充电器的电源线从插座上拔下。
- 为了避免危险，请仅使用指定的充电器。
- 请仅使用正宗日立更换零件。
- 请勿将电动工具和充电器用于使用说明书中指定的用途之外。
- 为了避免人体受伤，请仅使用使用说明书或日立商品目录中推荐的配件或附件。
- 如果电源线损坏，必须由厂家或其维修代理或类似有资格的人员更换以防发生危险。
请仅让授权服务中心进行修理。厂家对由未授权的人员修理或工具使用不当引起的任何损坏或伤害不承担责任。
- 为了确保电动工具和充电器的操作整体性，请勿拆下装在上方的盖子或螺钉。
- 请始终在铭牌上所示的电压下使用充电器。
- 使用前请对电池充电。
- 切勿使用指定电池之外的电池。请勿将通常的干电池、指定之外的电池或汽车电池连接到电动工具。
- 请勿使用带增压器的变压器。
- 请勿从引擎发电机或直流电源对电池进行充电。
- 请始终在室内充电。因为充电期间充电器和电池会有些发热，所以请在没有阳光直射、湿度较低和通风良好的地方给电池充电。

19. 请将本使用说明书中的立体分解图仅用于授权维修。
20. 本产品并非供身体、感官、心理能力较差或缺乏经验和知识的人员（包括小孩）使用，除非他们得到了对其安全负责的人员关于本产品使用的监督或指导。
21. 应监督小孩，确保他们不玩弄本产品。

有关充电器的注意事项

1. 请始终在 0 至 40°C 的环境温度下对电池进行充电。温度低于 0°C 将导致危险的过充电。不得在高于 40°C 的温度下对电池进行充电。
最适于充电的温度是 20 至 25°C。
2. 请勿连续使用充电器。
充电结束后，在下次充电之前请将充电器放置约 15 分钟。
3. 请勿让异物进入电池的连接器。
4. 切勿拆卸本电池或充电器。
5. 切勿使电池短路。使电池短路将会造成很大的电流和过热，从而烧坏电池。
6. 请勿将电池丢入火中。
电池受热将会爆炸。
7. 使用耗尽的电池会损坏充电器。
8. 充电后的电池寿命太短不够使用时，请尽快将本电池送往购买时的经销店。
请勿将用过的电池乱丢。
9. 请勿将异物插入充电器的通风口。
将金属物体或易燃物插入充电器的通风口会导致触电事故或损坏充电器。

符号

警告！

如下所示的符号用于本机。使用前请务必理解其含意。



阅读所有安全警告和所有指示。

规格

充电器

型式	UC18YFSL
充电电压	14.4 V – 18 V
重量	0.5 kg

用途

对日立电池充电。

○ BSL1415, BSL1415X, BSL1420, BSL1425, BSL1430, BSL1440, BSL1450, BSL1815, BSL1815X, BSL1820, BSL1825, BSL1830, BSL1840, BSL1850

充电

使用电动工具之前，按下述方法将电池进行充电。

1. 将充电器的电源线连接到插座。
充电器的插头接上插座时，信号灯会呈红色闪烁。（闪烁间隔为 1 秒钟）
2. 将电池插入充电器。
如图 1 所示，将电池紧紧地插入充电器。
3. 充电
将电池插入充电器后，充电器上的指示灯将持续点亮呈红色。电池充满电后，信号灯会呈红色闪烁。（闪烁间隔为 1 秒钟）（参见表 1）

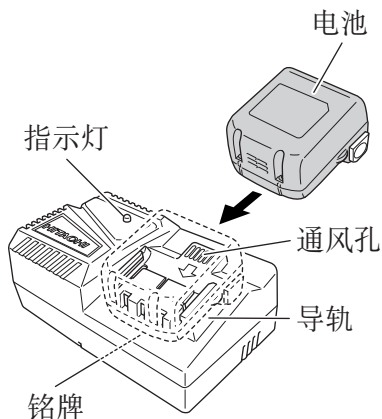


图 1

- (1) 指示灯显示
如表 1 所示，根据充电器或电池的状态，信号灯会有不同的指示。

表 1

指示灯的显示

指示灯 (红色)	充电前	闪烁	点亮 0.5 秒钟，不点亮 0.5 秒钟（熄灭 0.5 秒钟）	/	
	充电时	点亮	连续点亮		
	充电完成	闪烁	点亮 0.5 秒钟，不点亮 0.5 秒钟（熄灭 0.5 秒钟）		
	过热而等待	闪烁	点亮 1 秒钟，不点亮 0.5 秒钟（熄灭 0.5 秒钟）		电池过热。无法充 (电池冷却后开始进 行充电)。
	无法充电	闪动	点亮 0.1 秒钟，不点亮 0.1 秒钟（熄灭 0.1 秒钟）		电池或充电器有问 题。

(2) 关于电池的温度

电池的温度如表 2 所示，在充电前应使已发热的电池冷却片刻。

表 2

电池	可以对电池进行充电的温度
BSL1415, BSL1415X, BSL1420, BSL1425, BSL1430, BSL1440, BSL1450, BSL1815, BSL1815X, BSL1820, BSL1825, BSL1830, BSL1840, BSL1850	0°C – 50°C

(3) 关于充电时间

各种电池所需的充电时间如表 3 所示。

表 3 20°C时的大致充电时间（分钟）

电池		电池容量 (Ah)											
		锂离子电池											
电压		1.5 Ah		2.0 Ah		2.5 Ah		3.0 Ah		4.0 Ah		5.0 Ah	
14.4 V	BSL1415	22	BSL1420	30	BSL1425	35	BSL1430	45	BSL1440	60	BSL1450	75	
	BSL1415X (4 节电池)	分钟 (4 节电池)	分钟 (4 节电池)	分钟 (4 节电池)	分钟 (4 节电池)	分钟 (8 节电池)	分钟 (8 节电池)	分钟 (8 节电池)	分钟 (8 节电池)	分钟 (8 节电池)	分钟 (8 节电池)	分钟 (8 节电池)	
18 V	BSL1815	22	BSL1820	30	BSL1825	35	BSL1830	45	BSL1840	60	BSL1850	75	
	BSL1815X (5 节电池)	分钟 (5 节电池)	分钟 (5 节电池)	分钟 (5 节电池)	分钟 (5 节电池)	分钟 (10 节电池)	分钟 (10 节电池)	分钟 (10 节电池)	分钟 (10 节电池)	分钟 (10 节电池)	分钟 (10 节电池)	分钟 (10 节电池)	

注：

充电时间可能会因环境温度而异。

4. 将充电器的电源线从插座上拔下。

5. 拿住充电器，并取出电池。

注：

使用后请务必从充电器取出电池，然后妥善收藏。

关于新电池等的放电

因新的和长期未使用的电池内部的化学物质无活性，故第一次和第二次使用时其放电能力可能较低。这是暂时现象，这种电池充电 2 - 3 次后即可恢复其充电所需的正常时间。

较长时间保持电池性能的方法

(1) 在电池电力完全耗尽之前进行充电。

感到电动工具的能力变弱时，请停止使用并给电池充电。若您继续使用电动工具并耗尽电力，电池可能会损坏或其使用寿命缩短。

中文

(2) 避免在高温环境中充电。

使用后电池的温度将迅速升高。若使用后立即对这种电池进行充电，其内部化学物质会劣化，电池使用寿命将缩短。请稍等片刻，待电池冷却后再进行充电。

注意！

- 如果电池长时间放置在阳光直接照射的地方或者刚刚使用完毕时，电池会变热。如果此时对电池充电，充电器上的指示灯会点亮 1 秒钟，不点亮 0.5 秒钟（熄灭 0.5 秒钟）。
在此情况下，先让电池冷却下来，然后再充电。
- 信号灯呈红色快速闪烁（闪烁间隔为 0.2 秒钟）时，请检查充电器的电池连接器内是否有异物并加以清除。若没有异物，则可能是电池或充电器发生了故障，请将其送往当地授权服务中心。
- 因内置的微机需要约 3 秒钟才能确认正用 UC18YFSL 进行充电的电池已被取出，因此请待 3 秒钟后再重新插入电池继续充电。如果在不到 3 秒内就插入电池，则电池可能充电不正常。

维护和检查

1. 检查安装螺钉

请定期检查所有安装螺钉是否拧紧。若发现螺钉松弛，应立即拧紧，否则会导致严重事故。

2. 清洁充电器

当充电器脏污时，请用柔软的干布或沾有肥皂水的布片擦拭。请勿使用会溶化塑料的含氯溶剂、汽油或油漆稀释剂。

3. 收藏停用的充电器

充电器不用时，应收藏在干燥、较高或上锁（小孩拿不到）的地方。

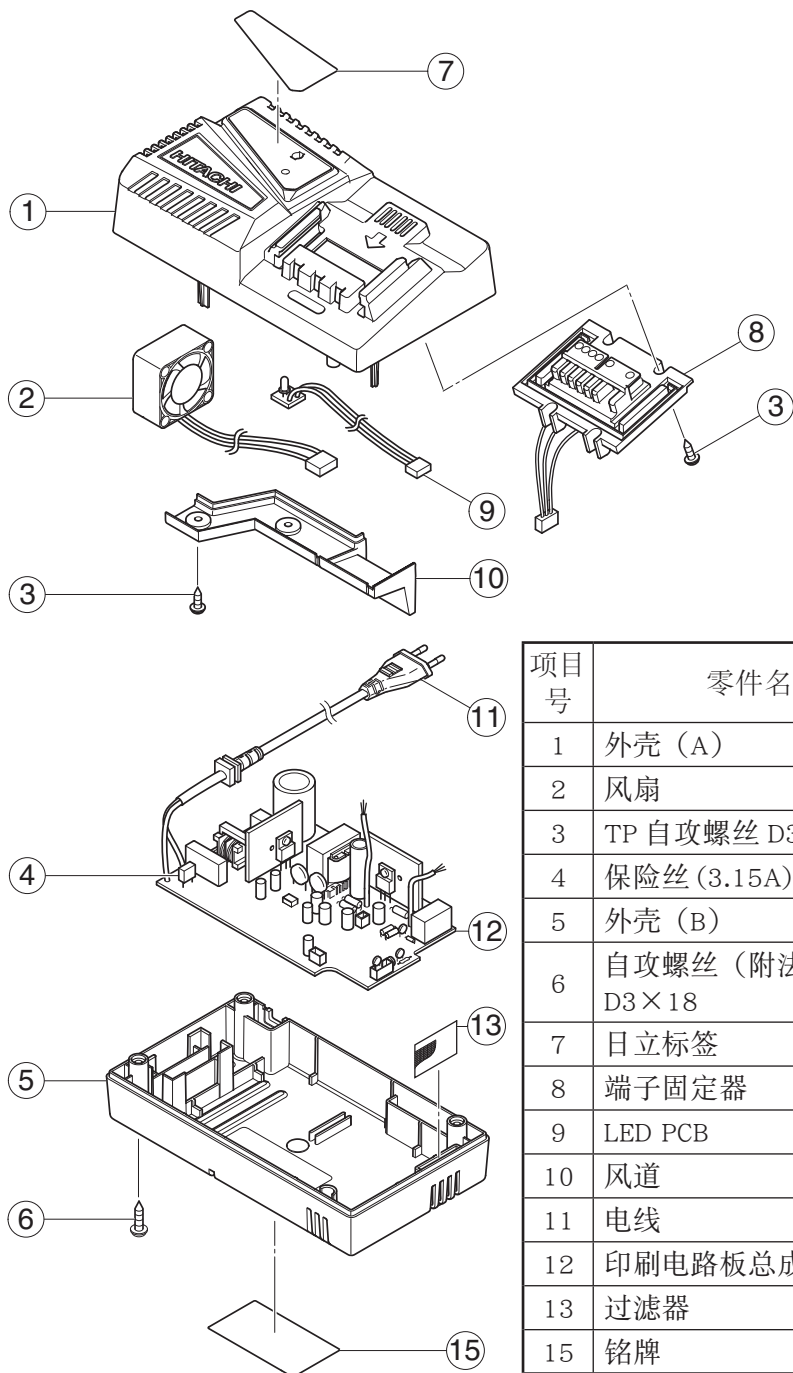
4. 维修零部件一览表

注意！

日立牌电动工具的维修、改造和检查须由经日立公司授权的维修中心进行。当要求维修或其他保养服务时，若将此零部件一览表与电动工具一起呈交给经日立公司授权的维修中心，将有助于维修或保养工作。

在操作和维修电动工具时，必须遵守贵国制定的安全的有关规则和标准。

维修零部件一览表



项目号	零件名称	数量
1	外壳 (A)	1
2	风扇	1
3	TP 自攻螺丝 D3×8	5
4	保险丝 (3.15A)	1
5	外壳 (B)	1
6	自攻螺丝 (附法兰) D3×18	4
7	日立标签	1
8	端子固定器	1
9	LED PCB	1
10	风道	1
11	电线	1
12	印刷电路板总成 (包括 4)	1
13	过滤器	1
15	铭牌	1

CONTENTS

GENERAL OPERATIONAL PRECAUTIONS	8
PRECAUTIONS FOR CHARGER.....	9
SYMBOL.....	10
SPECIFICATION	10
APPLICATION	10
CHARGING	10
MAINTENANCE AND INSPECTION	12
SERVICE PARTS LIST	14

GENERAL OPERATIONAL PRECAUTIONS

1. **Keep work area clean. Cluttered areas and benches invite accidents.**
2. **Avoid dangerous environment. Don't expose power tools and charger to rain. Don't use power tools and charger in damp or wet locations. And keep work area well lit. Never use power tools and charger near flammable or explosive materials. Do not use tool and charger in presence of flammable liquids or gases.**
3. **This appliance is not intended for use by persons (including children) with reduced physical, sensory or mental capabilities, or lack of experience and knowledge, unless they have been given supervision or instruction concerning use of the appliance by a person responsible for their safety. Children should be supervised to ensure that they do not play with the appliance.**
4. **Store idle tools and charger. When not in use, tools and charger should be stored in dry, high or locked-up place — out of reach of children. Store tools and charger in a place in which the temperature is less than 40°C.**
5. **Don't abuse cord. Never carry charger by cord or yank it to disconnect from receptacle. Keep cord from heat, oil and sharp edges.**
6. **When the charger is not in use or when being maintained and inspected, disconnect the power cord of the charger from the receptacle.**
7. **To avoid danger, always use only the specified charger.**
8. **Use only genuine HITACHI replacement parts.**
9. **Do not use power tools and charger for applications other than those specified in the Handling Instructions.**
10. **To avoid personal injury, use only the accessories or attachment recommended in these handling instructions or in the HITACHI catalog.**
11. **If the supply cord is damaged, it must be replaced by the manufacture or its service agent or a similarly qualified person in order to avoid a hazard. Let only the authorized service center do the repairing. The Manufacture will not be responsible for any damages or injuries caused by repair by the unauthorized persons or by mishandling of the tool.**
12. **To ensure the designed operational integrity of power tools and charger, do not remove installed covers or screws.**
13. **Always use the charger at the voltage specified on the nameplate.**

14. Always charge the battery before use.
15. Never use a battery other than that specified. Do not connect a usual dry cell, a battery other than that specified or a car battery to the power tool.
16. Do not use a transformer containing a booster.
17. Do not charge the battery from an engine electric generator or DC power supply.
18. Always charge indoors. Because the charger and battery heat slightly during charging, charge the battery in a place not exposed to direct sunlight; where the humidity is low and the ventilation is good.
19. Use the exploded assembly drawing on this handling instructions only for authorized servicing.
20. This appliance is not intended for use by persons (including children) with reduced physical, sensory or mental capabilities, or lack of experience and knowledge, unless they have been given supervision or instruction concerning use of the appliance by a person responsible for their safety.
21. Children should be supervised to ensure that they do not play with the appliance.

PRECAUTIONS FOR CHARGER

1. Always charge the battery at an ambient temperature of 0–40°C. A temperature of less than 0°C will result in over charging which is dangerous. The battery cannot be charged at a temperature greater than 40°C.
The most suitable temperature for charging is that of 20–25°C.
2. Do not use the charger continuously.
When one charging is completed, leave the charger for about 15 minutes before the next charging of battery.
3. Do not allow foreign matter to enter the connector for the battery.
4. Never disassemble the battery or charger.
5. Never short-circuit the battery.
Short-circuiting the battery will cause a great electric current and overheat. It results in burn or damage to the battery.
6. Do not dispose of the battery in fire.
If the battery is burnt, it may explode.
7. Using an exhausted battery will damage the charger.
8. Bring the battery to the shop from which it was purchased as soon as the post-charging battery life becomes too short for practical use. Do not dispose of the exhausted battery.
9. Do not insert objects into the air ventilation slots of the charger.
Inserting metal objects or flammable into the charger air ventilation slots will result in an electrical shock hazard or damage to the charger.

SYMBOL

WARNING

The following show symbols used for the machine. Be sure that you understand their meaning before use.



Read all safety warnings and all instructions.

SPECIFICATION

CHARGER

Model	UC18YFSL
Charging voltage	14.4 V – 18 V
Weight	0.5 kg

APPLICATION

For charging the HITACHI BATTERY.

- BSL1415, BSL1415X, BSL1420, BSL1425, BSL1430, BSL1440, BSL1450, BSL1815, BSL1815X, BSL1820, BSL1825, BSL1830, BSL1840, BSL1850

CHARGING

Before using the power tool, charge the battery as follows.

1. Connect the charger's power cord to the receptacle.
When connecting the plug of the charger to a receptacle, the pilot lamp will blink in red. (At 1-second intervals).
 2. Insert the battery into the charger.
Firmly insert the battery into the charger as shown in **Fig. 1**.
 3. Charging
When inserting a battery in the charger, the pilot lamp will light up continuously in red.
When the battery becomes fully recharged, the pilot lamp will blink in red. (At 1-second intervals.) (See **Table 1**)
- (1) Pilot lamp indication
The indications of the pilot lamp will be as shown in **Table 1**, according to the condition of the charger or the battery.

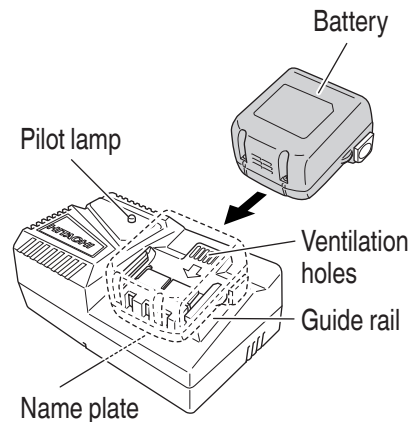







Fig. 1

Table 1

		Indications of the pilot lamp		
Pilot lamp (red)	Before charging	Blinks	Lights for 0.5 seconds. Does not light for 0.5 seconds. (off for 0.5 seconds) 	
	While charging	Lights	Lights continuously 	
	Charging complete	Blinks	Lights for 0.5 seconds. Does not light for 0.5 seconds. (off for 0.5 seconds) 	
	Overheat standby	Blinks	Lights for 1 second. Does not light for 0.5 seconds. (off for 0.5 seconds) 	Battery overheated. Unable to charge (Charging will commence when battery cools).
	Charging impossible	Flickers	Lights for 0.1 second. Does not light for 0.1 seconds. (off for 0.1 seconds) 	Malfunction in the battery or the charger.

(2) Regarding the temperature of the battery.

The temperatures for batteries are as shown in the **Table 2**, and batteries that have become hot should be cooled for a while before being recharged.

Table 2

Batteries	Temperatures at which the battery can be recharged
BSL1415, BSL1415X, BSL1420, BSL1425, BSL1430, BSL1440, BSL1450, BSL1815, BSL1815X, BSL1820, BSL1825, BSL1830, BSL1840, BSL1850	0°C — 50°C

(3) Regarding recharging time

Table 3 shows the recharging time required according to the type of battery.

Table 3 Recharging time (approx. min.) at 20°C

Battery Voltage	Battery capacity (Ah)											
	Li-ion BATTERY											
	1.5 Ah		2.0 Ah		2.5 Ah		3.0 Ah		4.0 Ah		5.0 Ah	
14.4 V	BSL1415	22 min.	BSL1420	30 min.	BSL1425	35 min.	BSL1430	45 min.	BSL1440	60 min.	BSL1450	75 min.
	BSL1415X (4 cells)		BSL1420 (4 cells)		BSL1425 (4 cells)		BSL1430 (8 cells)		BSL1440 (8 cells)		BSL1450 (8 cells)	
18 V	BSL1815	22 min.	BSL1820	30 min.	BSL1825	35 min.	BSL1830	45 min.	BSL1840	60 min.	BSL1850	75 min.
	BSL1815X (5 cells)		BSL1820 (5 cells)		BSL1825 (5 cells)		BSL1830 (10 cells)		BSL1840 (10 cells)		BSL1850 (10 cells)	

English

NOTE

The recharging time may vary according to the ambient temperature.

4. Disconnect the charger's power cord from the receptacle.
5. Hold the charger firmly and pull out the battery.

NOTE

Be sure to pull out the battery from the charger after use, and then keep it.

Regarding electric discharge in case of new batteries, etc.

As the internal chemical substance of new batteries and batteries that have not been used for an extended period is not activated, the electric discharge might be low when using them the first and second time. This is a temporary phenomenon, and normal time required for recharging will be restored by recharging the batteries 2–3 times.

How to make the batteries perform longer.

- (1) Recharge the batteries before they become completely exhausted.
When you feel that the power of the tool becomes weaker, stop using the tool and recharge its battery. If you continue to use the tool and exhaust the electric current, the battery may be damaged and its life will become shorter.
- (2) Avoid recharging at high temperatures.
A battery will be hot immediately after use. If such a battery is recharged immediately after use, its internal chemical substance will deteriorate, and the battery life will be shortened. Leave the battery and recharge it after it has cooled for a while.

CAUTION

- **If the battery is charged while it is heated because it has been left for a long time in a location subject to direct sunlight or because the battery has just been used, the pilot lamp of the charger lights for 1 second, does not light for 0.5 seconds (off for 0.5 seconds). In such a case, first let the battery cool, then start charging.**
- **When the pilot lamp flickers in red (at 0.2-seconds intervals), check for and take out any foreign objects in the charger's battery connector. If there are no foreign objects, it is probable that the battery or charger is malfunctioning. Take it to your authorized Service Center.**
- **Since the built-in micro computer takes about 3 seconds to confirm that the battery being charged with UC18YFSL is taken out, wait for a minimum of 3 seconds before reinserting it to continue charging. If the battery is reinserted within 3 seconds, the battery may not be properly charged.**

MAINTENANCE AND INSPECTION

1. Inspecting the mounting screws
Regularly inspect all mounting screws and ensure that they are properly tightened. Should any of the screws be loose, retighten them immediately. Failure to do so could result in serious hazard.
2. Cleaning of the charger
When the charger is stained, wipe with a soft dry cloth or a cloth moistened with soapy water. Do not use chloric solvents, gasoline or paint thinner, for they melt plastics.

3. Store idle charger
When not in use, the charger should be stored in dry, high or locked-up place — out of reach of children.
4. Service parts list

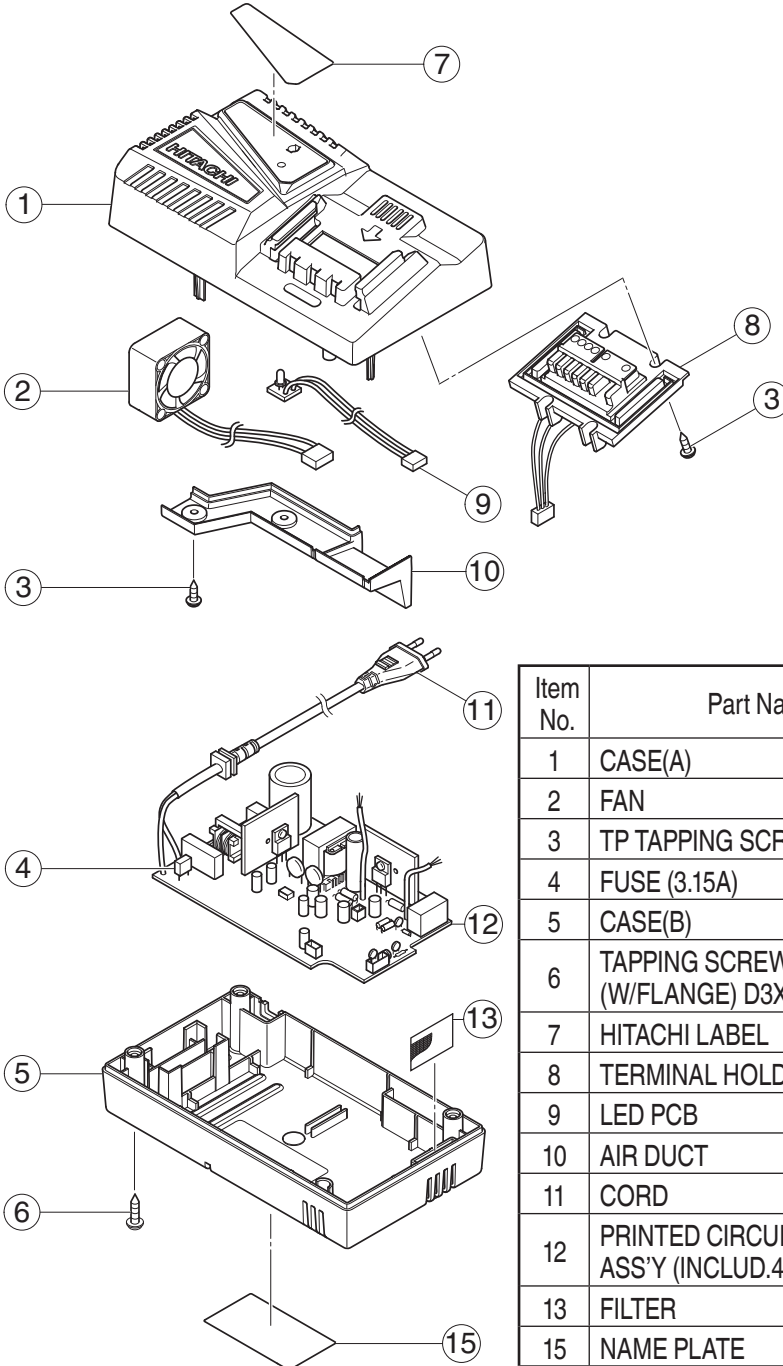
CAUTION

Repair, modification and inspection of Hitachi Power Tools must be carried out by a Hitachi Authorized Service Center.

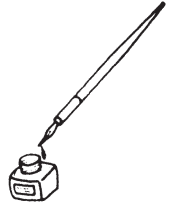
This Parts List will be helpful if presented with the tool to the Hitachi Authorized Service Center when requesting repair or other maintenance.

In the operation and maintenance of power tools, the safety regulations and standards prescribed in each country must be observed.

SERVICE PARTS LIST



Item No.	Part Name	Q'TY
1	CASE(A)	1
2	FAN	1
3	TP TAPPING SCREW D3X8	5
4	FUSE (3.15A)	1
5	CASE(B)	1
6	TAPPING SCREW (W/FLANGE) D3X18	4
7	HITACHI LABEL	1
8	TERMINAL HOLDER	1
9	LED PCB	1
10	AIR DUCT	1
11	CORD	1
12	PRINTED CIRCUIT BOARD ASS'Y (INCLUD.4)	1
13	FILTER	1
15	NAME PLATE	1



服务中心
日立工机商业(中国)有限公司
上海市闵行区浦江工业园区三鲁路3585号7幢3楼

制造商
广东日立工机有限公司
广东省广州市番禺区化龙镇工业路富裕围工业村

 **Hitachi Koki Co., Ltd.**

707
编号：C99209523 G
发行日期：2017年7月
中国印刷