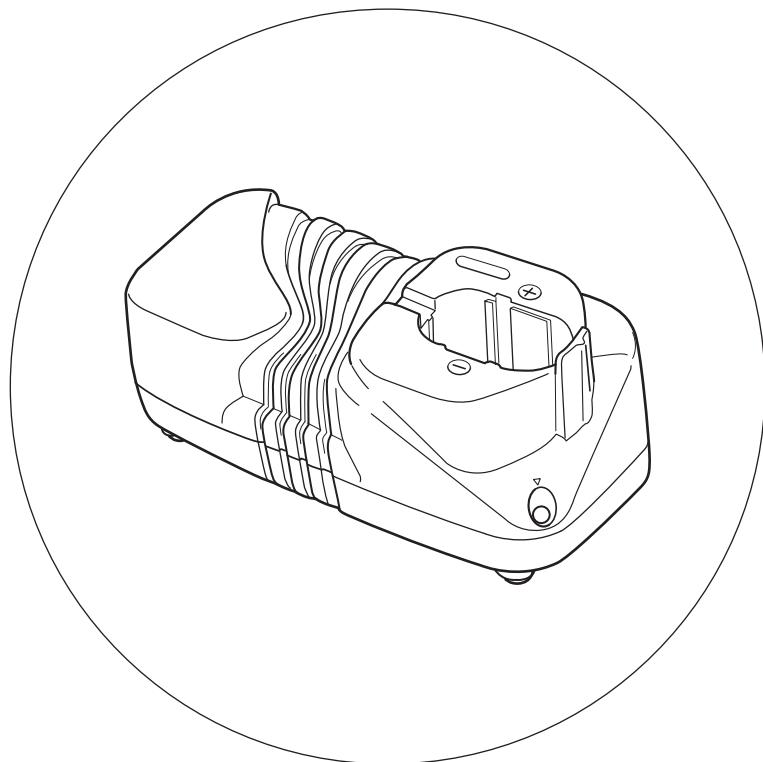


# HITACHI

充电器  
Charger

中文  
English

## UC 18YG



保留备用  
Keep for future reference



使用说明书  
Handling instructions

**Hitachi Koki**

## 目次

一般操作注意事项.....	2	用途.....	4
有关充电器的注意事项.....	3	充电.....	4
符号.....	3	维护和检查.....	6
规格.....	3	维修零部件一览表.....	7

## 一般操作注意事项

1. 保持工作场所清洁。杂乱的场所和工作台易发生意外。
2. 避免危险的环境。请勿让电动工具和充电器淋雨。请勿在潮湿的地方使用电动工具和充电器。请保持工作场所明亮。  
切勿在易燃性或爆炸性物体附近使用电动工具和充电器。  
请勿在有易燃液体或气体存在的地方使用工具和充电器。
3. 本装置不适用于无人监管的幼儿或意志薄弱的人。幼儿应在监管下以确保他们不会将装置拿来玩耍。所有使用者应与工作区域保持安全距离。
4. 收藏停用的工具和充电器。工具和充电器不用时，应收藏在干燥、较高或上锁（小孩拿不到）的地方。请将工具和充电器收藏在温度低于 40℃ 的地方。
5. 请勿滥用电源线。切勿用电源线来携带充电器或猛拉电源线来将其从插座上拔下。请使电源线远离热、油和尖锐的边缘。
6. 不使用充电器或正在维护和检查时，请将充电器的电源线从插座上拔下。
7. 为了避免危险，请仅使用指定的充电器。
8. 请仅使用正宗日立更换零件。
9. 请勿将电动工具和充电器用于使用说明书中指定的用途之外。
10. 为了避免人体受伤，请仅使用使用说明书或日立商品目录中推荐的配件或附件。
11. 如果电源线损坏，必须由厂家或其维修代理或类似有资格的人员更换以防发生危险。  
请仅让授权服务中心进行修理。厂家对由未授权的人员修理或工具使用不当引起的任何损坏或伤害不承担责任。
12. 为了确保电动工具和充电器的操作整体性，请勿拆下装在上面的盖子或螺钉。
13. 请始终在标牌上所示的电压下使用充电器。
14. 使用前请对电池充电。
15. 切勿使用指定电池之外的电池。请勿将通常的干电池、指定之外的电池或汽车电池连接到电动工具。
16. 请勿使用带增压器的变压器。
17. 请勿从引擎发电机或直流电源对电池进行充电。
18. 请始终在室内充电。因为充电期间充电器和电池会有些发热，所以请在没有阳光直射、湿度较低和通风良好的地方给电池充电。
19. 请将本使用说明书中的立体分解图仅用于授权维修。

## 有关充电器的注意事项

1. 请始终在 10 至 40°C 的环境温度下对电池进行充电。温度低于 10°C 将导致危险的过充电。不得在高于 40°C 的温度下对电池进行充电。  
最适于充电的温度是 20 至 25°C。
2. 请勿连续使用充电器。  
充电结束后，在下次充电之前请将充电器放置约 15 分钟。
3. 请勿将电池充电超过 2 小时。
4. 勿让杂质进入电池的连接口内。
5. 切勿拆卸本电池或充电器。
6. 切勿使电池短路。  
使电池短路将会造成很大的电流和过热，从而烧坏电池。
7. 请勿将电池丢入火中。  
电池受热将会爆炸。
8. 使用耗尽的电池会损坏充电器。
9. 充电后的电池寿命太短不够使用时，请尽快将本电池送往购买时的经销店。  
请勿将用过的电池乱丢。
10. 请勿将异物插入充电器的通风口。  
将金属物体或易燃物插入充电器的通风口会导致触电事故或损坏充电器。

## 符号

### 警告！

如下所示的符号用于本机。使用前请务必理解其含意。



阅读所有安全警告和所有指示。

## 规格

### 充电器

型式	UC18YG
充电电压	7.2 V – 18 V
重量	0.3 kg

## 用途

对日立电池充电。

- EB712S, EB7S, FEB7S, EB714S, EB7B, EB9S, EB912S, FEB9S, EB914S, EB914, EB9B, EB924, EB1212S, EB12S, FEB12S, EB1214L, EB1214S, EB12B, EB1220BL, EB1224, EB1412S, EB1414, EB1414S, EB14B, EB1424, EB1812S, EB1814SL, EB1820, EB1820L, EB1824L

## 充电

使用电动工具之前，按下述方法将电池进行充电。

1. 将充电器的电源线连接到插座。
2. 将电池插入充电器。

将电池带有铭牌的一面朝向充电器的铭牌并按入电池直至电池与底板接触上（参见图 1）。

插入电池即可开启充电器（指示灯点亮）。

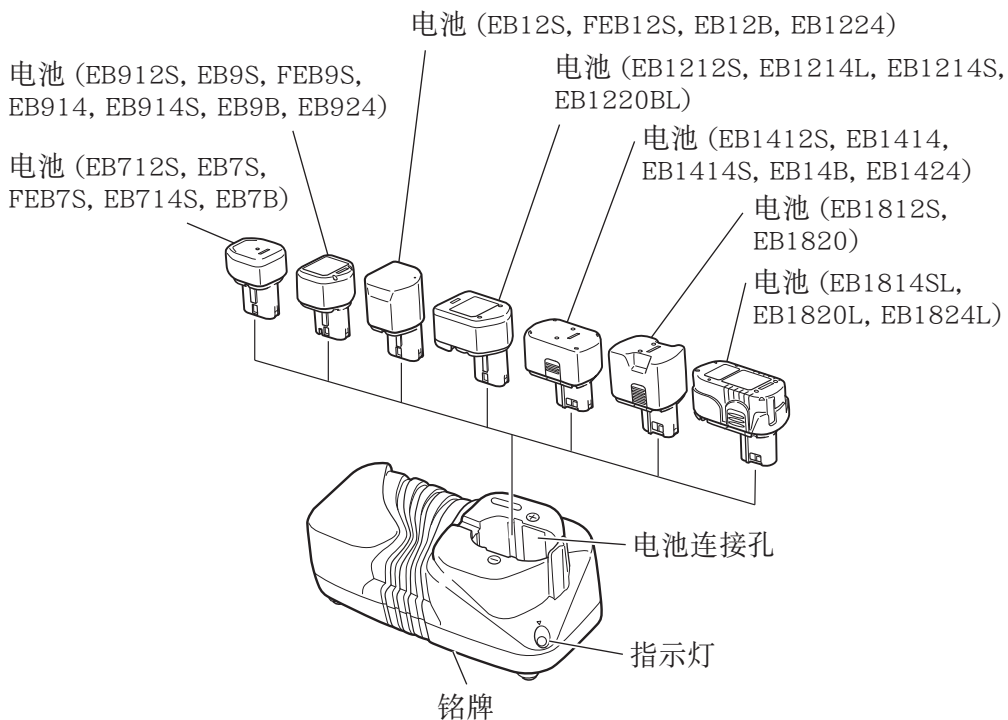


图 1

**注意！**

如果指示灯不点亮，则从插座中拔出电源线并查看电池安装情况。

指示灯熄灭表明电池已经充满电。

**注意！**

如果电池由于阳光直射、刚刚运转结束等原因导致变热，充电器的指示灯可能不会点亮。此时，需要先冷却电池，然后开始充电。

## ○ 关于充电时间

各种电池所需的充电时间如表 1 所示。

表 1 20°C时的大致充电时间（分钟）

电池电压 (V)	电池容量 (Ah)					
	1.2 – 1.4 Ah		2.0 Ah		2.4 Ah	
7.2 V	EB712S, EB7S, FEB7S, EB714S		EB7B		—	—
9.6 V	EB912S, EB9S, FEB9S, EB914, EB914S		EB9B		EB924	
12 V	EB1212S, EB12S, FEB12S, EB1214L, EB1214S		EB12B, EB1220BL		EB1224	
14.4 V	EB1412S, EB1414, EB1414S		EB14B		EB1424	
18 V	EB1812S, EB1814SL		EB1820, EB1820L		EB1824L	

**注：**

充电时间会根据周围环境温度和电源电压而有所不同。

3. 将充电器的电源线从插座上拔下。

4. 拿住充电器，并取出电池。

**注：**

使用后请务必从充电器取出电池，然后妥善收藏。

## 关于新电池等的放电

因新的和长期未使用的电池内部的化学物质无活性，故第一次和第二次使用时其放电能力可能较低。这是暂时现象，这种电池充电 2 - 3 次后即可恢复其充电所需的正常时间。

## 较长时间保持电池性能的方法

(1) 在电池电力完全耗尽之前进行充电。

感到电动工具的能力变弱时，请停止使用并给电池充电。若您继续使用电动工具并耗尽电力，电池可能会损坏或其使用寿命缩短。

(2) 避免在高温环境中充电。

使用后电池的温度将迅速升高。若使用后立即对这种电池进行充电，其内部化学物质会劣化，电池使用寿命将缩短。请稍等片刻，待电池冷却后再进行充电。

## 维护和检查

1. 检查安装螺钉

请定期检查所有安装螺钉是否拧紧。若发现螺钉松弛，应立即拧紧，否则会导致严重事故。

2. 清洁充电器

当充电器脏污时，请用柔软的干布或沾有肥皂水的布片擦拭。请勿使用会溶化塑料的含氯溶剂、汽油或油漆稀释剂。

3. 收藏停用的充电器

充电器不用时，应收藏在干燥、较高或上锁（小孩拿不到）的地方。

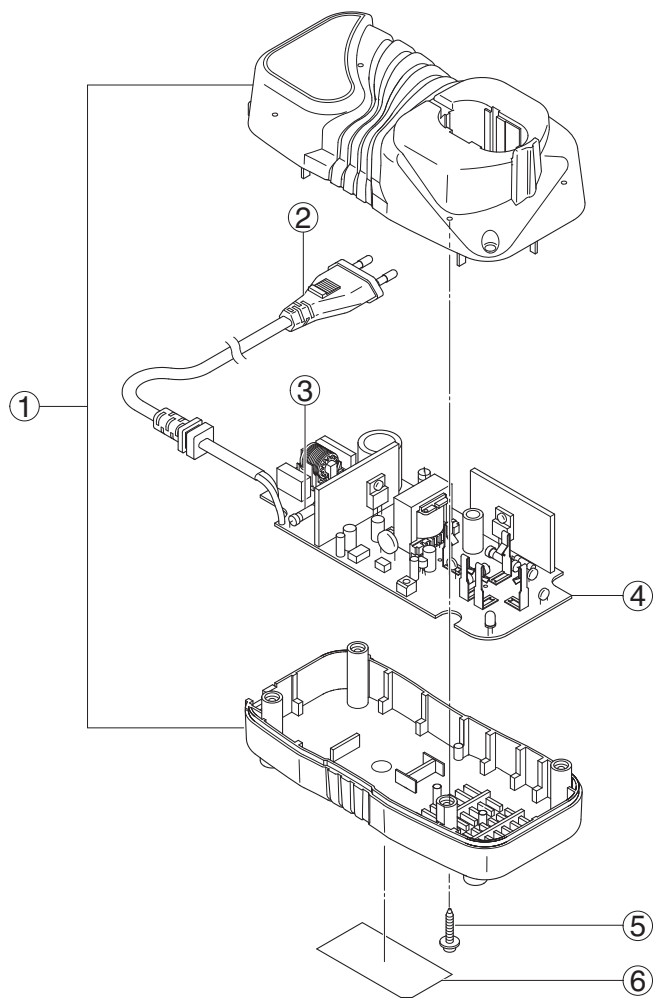
4. 维修零部件一览表

## 注意！

日立牌电动工具的维修、改造和检查须由经日立公司授权的维修中心进行。当要求维修或其他保养服务时，若将此零部件一览表与电动工具一起呈交给经日立公司授权的维修中心，将有助于维修或保养工作。

在操作和维修电动工具时，必须遵守贵国制定的安全的有关规则和标准。

## 维修零部件一览表



项目号	零件名称
1	外壳 (A)·(B) 组
2	电线
3	保险丝 (3.15A/250V)
4	印刷电路板总成
5	自攻螺丝 (附法兰) D3×20
6	铭牌

## CONTENTS

GENERAL OPERATIONAL PRECAUTIONS .....	8
PRECAUTIONS FOR CHARGER.....	9
SYMBOL.....	9
SPECIFICATION .....	10
APPLICATION.....	10
CHARGING .....	11
MAINTENANCE AND INSPECTION .....	13
SERVICE PARTS LIST .....	14

## GENERAL OPERATIONAL PRECAUTIONS

1. **Keep work area clean. Cluttered areas and benches invite accidents.**
2. **Avoid dangerous environment. Don't expose power tools and charger to rain. Don't use power tools and charger in damp or wet locations. And keep work area well lit. Never use power tools and charger near flammable or explosive materials. Do not use tool and charger in presence of flammable liquids or gases.**
3. **The appliance is not intended for use by young children or infirm persons without supervision. Young children should be supervised to ensure that they do not play with the appliance. All visitors should be kept safe distance from work area.**
4. **Store idle tools and charger. When not in use, tools and charger should be stored in dry, high or locked-up place — out of reach of children. Store tools and charger in a place in which the temperature is less than 40°C.**
5. **Don't abuse cord. Never carry charger by cord or yank it to disconnect from receptacle. Keep cord from heat, oil and sharp edges.**
6. **When the charger is not in use or when being maintained and inspected, disconnect the power cord of the charger from the receptacle.**
7. **To avoid danger, always use only the specified charger.**
8. **Use only genuine HITACHI replacement parts.**
9. **Do not use power tools and charger for applications other than those specified in the Handling Instructions.**
10. **To avoid personal injury, use only the accessories or attachment recommended in these handling instructions or in the HITACHI catalog.**
11. **If the supply cord is damaged, it must be replaced by the manufacture or its service agent or a similarly qualified person in order to avoid a hazard. Let only the authorized service center do the repairing. The Manufacture will not be responsible for any damages or injuries caused by repair by the unauthorized persons or by mishandling of the tool.**
12. **To ensure the designed operational integrity of power tools and charger, do not remove installed covers or screws.**
13. **Always use the charger at the voltage specified on the nameplate.**
14. **Always charge the battery before use.**
15. **Never use a battery other than that specified. Do not connect a usual dry cell, a battery other than that specified or a car battery to the power tool.**



16. Do not use a transformer containing a booster.
17. Do not charge the battery from an engine electric generator or DC power supply.
18. Always charge indoors. Because the charger and battery heat slightly during charging, charge the battery in a place not exposed to direct sunlight; where the humidity is low and the ventilation is good.
19. Use the exploded assembly drawing on this handling instructions only for authorized servicing.

## PRECAUTIONS FOR CHARGER

1. Always charge the battery at an ambient temperature of 10–40°C. A temperature of less than 10°C will result in over charging which is dangerous. The battery cannot be charged at a temperature greater than 40°C.  
The most suitable temperature for charging is that of 20–25°C.
2. Do not use the charger continuously.  
When one charging is completed, leave the charger for about 15 minutes before the next charging of battery.
3. Do not charge the battery for more than 2 hours.
4. Do not allow foreign matter to enter the hole for connecting the battery.
5. Never disassemble the battery or charger.
6. Never short-circuit the battery.  
Short-circuiting the battery will cause a great electric current and overheat. It results in burn or damage to the battery.
7. Do not dispose of the battery in fire.  
If the battery is burnt, it may explode.
8. Using an exhausted battery will damage the charger.
9. Bring the battery to the shop from which it was purchased as soon as the post-charging battery life becomes too short for practical use. Do not dispose of the exhausted battery.
10. Do not insert objects into the air ventilation slots of the charger.  
Inserting metal objects or flammable into the charger air ventilation slots will result in an electrical shock hazard or damage to the charger.

## SYMBOL

### WARNING

The following show symbols used for the machine. Be sure that you understand their meaning before use.



Read all safety warnings and all instructions.

## SPECIFICATION

### CHARGER

Model	UC18YG
Charging voltage	7.2 – 18 V
Weight	0.3 kg

## APPLICATION

For charging the HITACHI BATTERY.

- EB712S, EB7S, FEB7S, EB714S, EB7B, EB9S, EB912S, FEB9S, EB914S, EB914, EB9B, EB924, EB1212S, EB12S, FEB12S, EB1214L, EB1214S, EB12B, EB1220BL, EB1224, EB1412S, EB1414, EB1414S, EB14B, EB1424, EB1812S, EB1814SL, EB1820, EB1820L, EB1824L

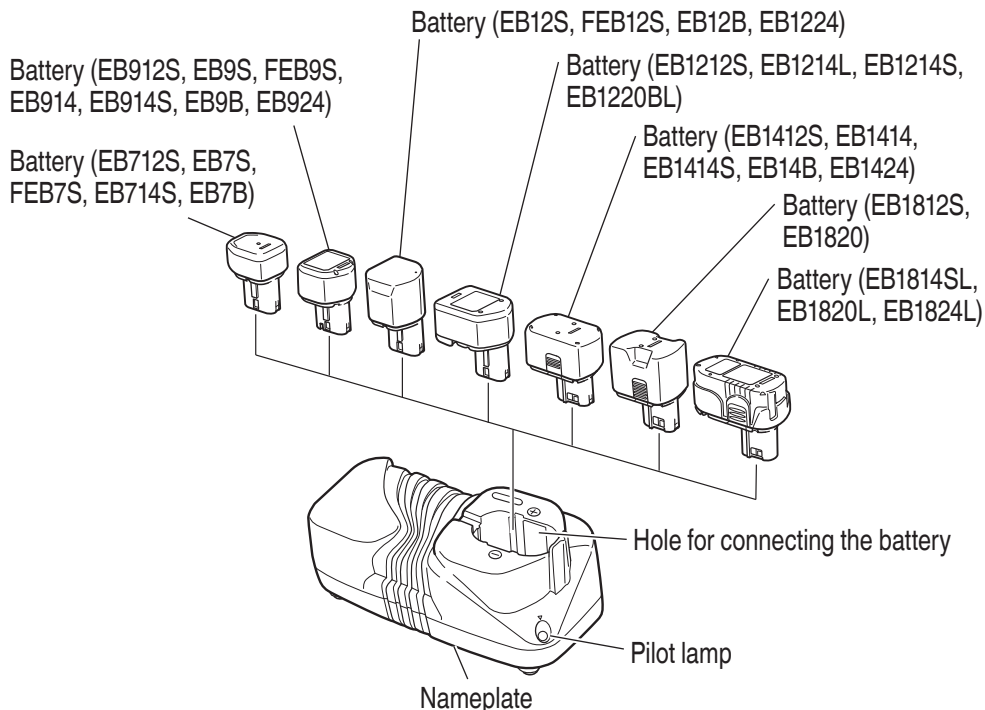
## CHARGING

Before using the power tool, charge the battery as follows.

1. Connect the charger's power cord to the receptacle.
2. Insert the battery in the charger

Position the battery so that the nameplate faces toward the nameplate of the charger and press in the battery until it comes into contact with the bottom plate (See **Fig. 1**).

Inserting the battery will turn on the charger (the pilot lamp lights up).



**Fig. 1**

### CAUTION

**If the pilot lamp does not light up, pull out the power cord from the receptacle and check the battery mounting condition.**

The pilot lamp goes off to indicate that the battery is fully charged.

### CAUTION

**If the battery is heated due to direct sunlight, etc., just after operation, the charger pilot lamp may not light. At that time cool the battery first, then start charging.**

## English

- Regarding recharging time

**Table 1** shows the recharging time required according to the type of battery.

**Table 1 Recharging time (approx. min.) at 20°C**

Battery Voltage (V)	Battery capacity (Ah)					
	1.2 – 1.4 Ah		2.0 Ah		2.4 Ah	
7.2V	EB712S, EB7S, FEB7S, EB714S	30 min.	EB7B	50 min.	—	—
9.6V	EB912S, EB9S, FEB9S, EB914, EB914S		EB9B		EB924	60 min.
12V	EB1212S, EB12S, FEB12S, EB1214L, EB1214S		EB12B, EB1220BL		EB1224	
14.4V	EB1412S, EB1414, EB1414S		EB14B		EB1424	
18V	EB1812S, EB1814SL		EB1820, EB1820L		EB1824L	

### NOTE

The recharging time may vary according to the ambient temperature and the power supply voltage.

3. Disconnect the charger's power cord from the receptacle
4. Hold the charger firmly and pull out the battery

### NOTE

Be sure to pull out the battery from the charger after use, and then keep it.

### Regarding electric discharge in case of new batteries, etc.

As the internal chemical substance of new batteries and batteries that have not been used for an extended period is not activated, the electric discharge might be low when using them the first and second time. This is a temporary phenomenon, and normal time required for recharging will be restored by recharging the batteries 2-3 times.

### How to make the batteries perform longer.

- (1) Recharge the batteries before they become completely exhausted.  
When you feel that the power of the tool becomes weaker, stop using the tool and recharge its battery. If you continue to use the tool and exhaust the electric current, the battery may be damaged and its life will become shorter.

- (2) Avoid recharging at high temperatures.  
A battery will be hot immediately after use. If such a battery is recharged immediately after use, its internal chemical substance will deteriorate, and the battery life will be shortened. Leave the battery and recharge it after it has cooled for a while.

## MAINTENANCE AND INSPECTION

1. Inspecting the mounting screws  
Regularly inspect all mounting screws and ensure that they are properly tightened. Should any of the screws be loose, retighten them immediately. Failure to do so could result in serious hazard.
2. Cleaning of the charger  
When the charger is stained, wipe with a soft dry cloth or a cloth moistened with soapy water. Do not use chloric solvents, gasoline or paint thinner, for they melt plastics.
3. Store idle charger  
When not in use, the charger should be stored in dry, high or locked-up place — out of reach of children.
4. Service parts list

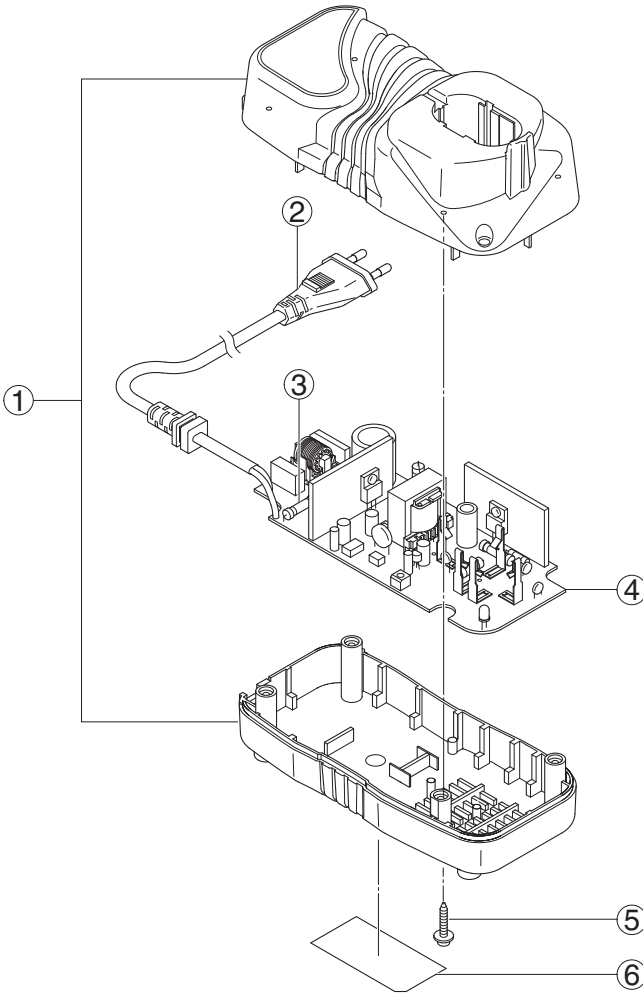
## CAUTION

**Repair, modification and inspection of Hitachi Power Tools must be carried out by a Hitachi Authorized Service Center.**

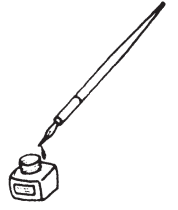
**This Parts List will be helpful if presented with the tool to the Hitachi Authorized Service Center when requesting repair or other maintenance.**

**In the operation and maintenance of power tools, the safety regulations and standards prescribed in each country must be observed.**

# SERVICE PARTS LIST



Item No.	Part Name
1	CASE (A)·(B) SET
2	CORD
3	FUSE (3.15A/250V)
4	PRINTED CIRCUIT BOARD ASS'Y
5	TAPPING SCREW (W/FLANGE) D3 × 20
6	NAME PLATE



服务中心  
日立工机商业(中国)有限公司  
上海市闵行区浦江工业园区三鲁路3585号7幢3楼

制造商  
广东日立工机有限公司  
广东省广州市番禺区化龙镇工业路富裕围工业村

 **Hitachi Koki Co., Ltd.**

707  
编号：C99140822 G  
发行日期：2017年7月  
中国印刷